

APPLICATION

- ▶ Suitable for interior top hung sliding doors.
- ▶ Ideal for residential applications.
- ▶ Suitable for a single door or for two doors on a bi-parting installation - door width limits apply.
- ▶ Door construction must permit secure fixing of hanger plates.
- ▶ The aluminium track can be either face or soffit fitted.

DOOR SPECIFICATION

Track System: Senator 30
 For Individual Doors:
 Max Door Weight 30kg
 Max Door Width 1500mm
 Min Door Thickness 20mm
 Suitable for use with lightly constructed timber framed doors of flush or panelled construction.

STANDARD SETS AND PACK

Sets comprise top aluminium track, hangers, door stop, guide, all screws and installation instructions.

Set No.	Max door width	Track length
SEN3	900mm	1800mm
SEN5	1500mm	3000mm

Pack No. SEN1
 SEN1 is a pack of fittings only, without track, to be used with loose track or bi-parting installations.

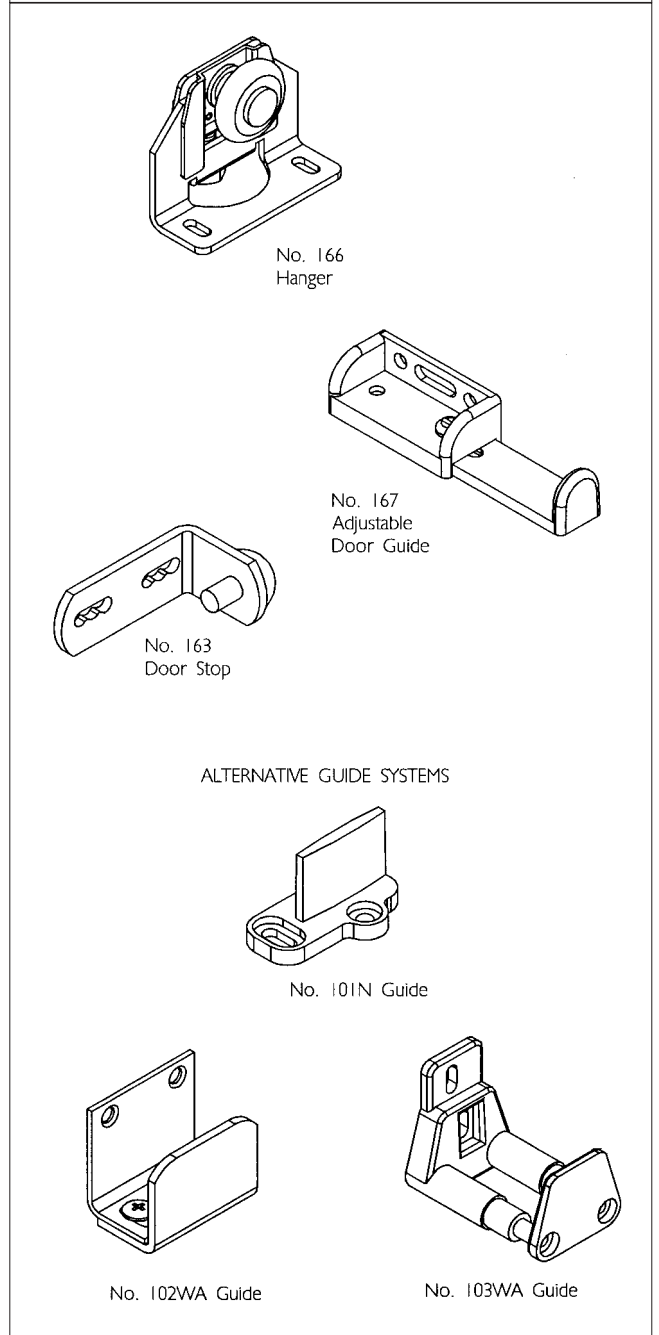
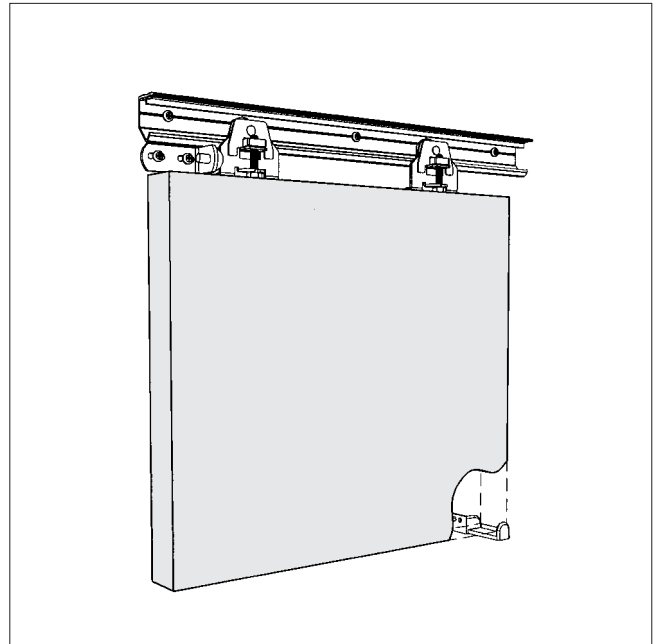
HARDWARE SPECIFICATION

Track: 30
 Material: Aluminium – mill finish
 Standard kit lengths: 1800mm and 3000mm
 Loose track lengths: 1200, 1500, 1800, 2400, 3000, 3600, 4800

Hanger (2 per door): 166
 The steel hanger is zinc plated and includes a nylon tyred ballrace wheel for smooth operation. The jump-proof hanger is full adjustable using a patented design.

Door Stop: 163
 The steel door stop is zinc plated and includes a rubber buffer. The multiple holes in the plate and the fact that the buffer is reversible, allows precise adjustment for stopping the door.

Guide: 167
 The nylon guide is designed to slide either through a 15mm deep by 5mm wide sawcut in the bottom rail of the door; or alternatively cradle the complete door. The guide is fitted on the floor at the edge of the opening in the overlap area. The guide has lateral adjustment.

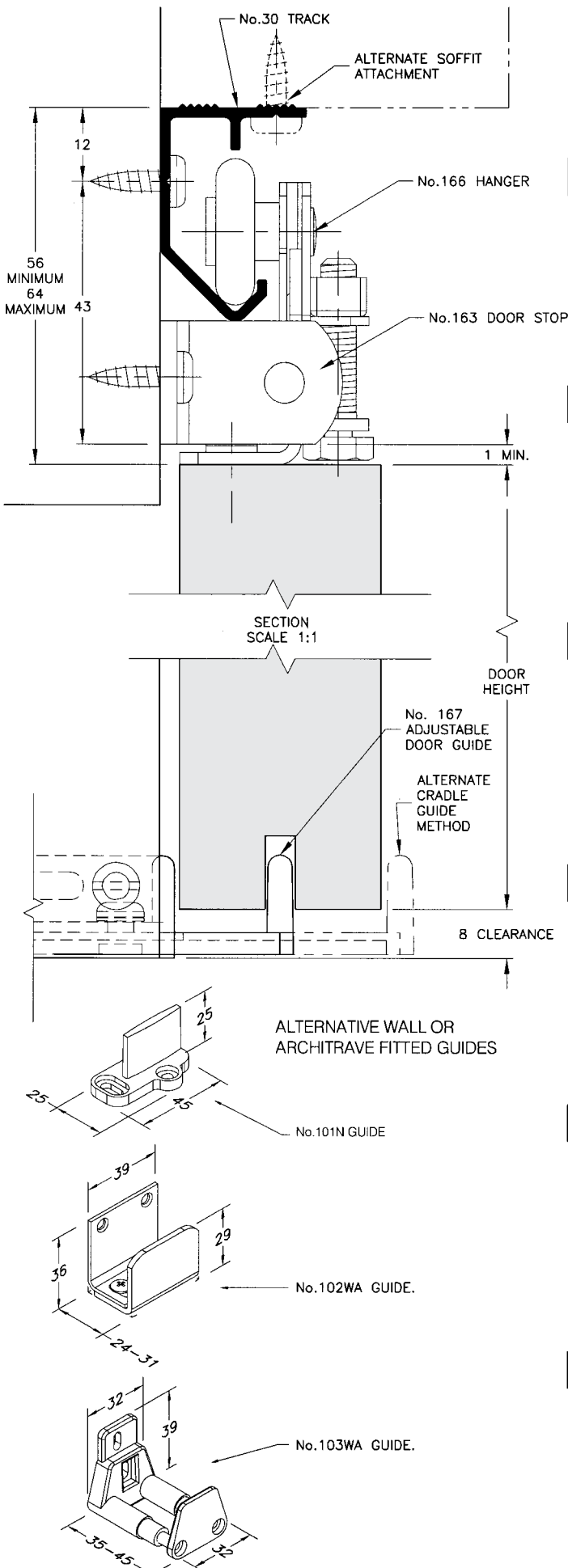


Senator 30

FOR TOP HUNG SLIDING DOORS, MAX. 30kg EACH

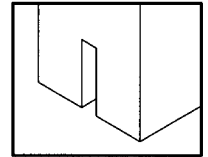
HENDERSON[®]
SLIDING & FOLDING DOOR HARDWARE
AUSTRALIA'S WIDEST RANGE

INSTALLATION INSTRUCTIONS



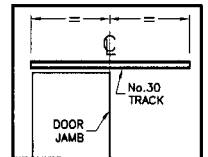
1 Groove Underside of Door

Groove 15mm deep by 5mm wide. If so desired, see 5 for alternative method of guiding the door.



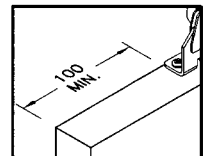
2 Fit Track Parallel to Floor

Position centre of Track directly in line with opening jamb. Screw Track to wall or soffit.



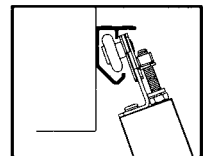
3 Fit Hangers to Door

Hanger Bracket should be positioned flush with inner face of door. Secure hanger brackets to the door no less than 100mm from each edge.



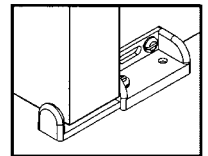
4 Lift Door on to Track

Swing the door off the perpendicular sufficient to engage the roller to the track. Some installations may require the track to be removed and re-fitted whilst the door is supported.



5 Fit Door Guide

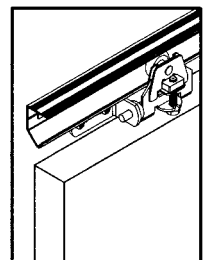
The guide fits on the wall architrave in the overlap area. The guide can accommodate a slotted door for concealed support or alternatively cradle the door should slotting be inconvenient.



6 Position Door Stop

Fit the stop so that the door will open fully.

For bi-parting doors, position the door stops to centralise the doors in the doorway.



B60B

HENDERSON RMD

Door Hardware Division of
RMD PRESS CO. PTY LTD.
ACN 004 313 937

© COPYRIGHT HENDERSON RMD

© HENDERSON IS A REGISTERED TRADEMARK OF PC HENDERSON LTD (UK)



SALES
OFFICES
IN ALL
STATES